

Christ Church *Bell*

Volume XXXVII, Issue 9

September 2023



September 2023

Beloved in Christ,

Thank you to everyone who made this year's Tournament such a success! Despite the muggy conditions, we had an amazing day, with a great joust on the recently-updated field, record crowds, very successful sales in the bazaar, dining room, and box suppers, and many happy, happy guests. None of that happens without dozens of volunteers working tirelessly for days, weeks, and months to prepare, so a sincere *"Thank you"* for all you do to welcome folks so generously and faithfully!

On **Saturday, 23 September, at 10 a.m.**, we will lay to rest the remains of nine early settlers of Calvert County, in a **historic reinterment**. We gather in the church for the burial liturgy, process to the churchyard for the reinterment, and then gather in the Parish Hall for a light reception. In the May *Bell* I shared some history of how those remains, originally buried at the Calvert Towne settlement near Battle Creek, were exposed by erosion, disinterred, and analyzed. We originally planned to reburial for August, but rescheduled the event to after Tournament, when the weather will hopefully be a little cooler. Invitations have gone out to public officials; please mark your calendar now and plan to be with us on the 23rd and invite your friends and neighbors. (Kathy Clark has very graciously agreed to organize the light reception; she will be posting sign-up sheets for food donations in the church and parish hall soon.)

When we welcome others - to Tournament, to the historic reinterment, or to church any Sunday - we are doing Christ's work. Jesus proclaimed God's kingdom by welcoming the stranger, the outcast, and those who many would rather ignore and exclude. That's been our mission, too, since 1672.

Yours in Christ,

Christopher +



God truly blessed us with a very warm, humid day on August 26th for our 156th Jousting Tournament and the people came despite the heat! Fr. Christopher said it was the largest crowd he had seen. We know they must have been very warm!

The Bazaar had a successful year and the booths serving food had a great day also – Bart Ewalt's Snowcones used over 300 cups, John Yoe's Hotdog Stand sold out, Karl and Danielle Adler's Meatballs sold out, and Francine Lamson's Lemonade Stand with lemonade, snickerdoodles and country ham and biscuits sold out by 1 pm, and the Bake Table was sold out by 11:15 or 11:30!

Thanks to all of you who helped to make the 156th Tournament a success – those who prayed, those who put up signs, those who worked in setting up the field and then taking it back down, those who worked on the potato salad, those who priced out all the items for the Attic Treasures and those who gave the items, those who gave books, those who sorted the books, those who donated baked items, those who made county store items, those who made or donated toys, those who worked on hospitality, those who did children's games and stories, those who picked over crabmeat, those who worked in all of the Bazaar stands, those who weeded the Biblical Garden, those who made chocolate chip cookies, those who helped with applesauce, those who helped fill the

orders, and those who bought leftovers, those who worked on publicity, those who worked on the website, those who counted money, those who worked the credit card machines, those who worked on getting the riders (according to Garry Baker, he said that there were 39 riders). This year, they changed the order of the classes to make the more exciting riders go first so held the interest of the crowd. The breakdown was 5 Leadline Class, 14 Novice Class, 3 Amateur Class, 4 Semi-Pro Class, 9 Professional Class, and 4 Trophy Class. That's 34 riders in the regular classes, plus 5 in the leadline class, for a total of 39 riders competing in the joust! Thanks to those who hung rings and helped register the riders, those who welcomed visitors into our historic church, those who entertained in the Organ and Instrumental Music Program, those who helped set up and clean up, those who served and showed our Southern hospitality with a smile, those who got ice, those who contributed to the placemat and the children's activities, those who took care of parking, those who brought their golf carts and drove, those who just drove golf carts, and those who came and worked or ate! We could not have done it without your help.

Special thanks to Erin at the 231 Farm and Outdoor Sports Store for the loan of 2 two seater golf carts.

We owe a special thank you to James Coffren, Overall Tournament Chair, to Chloe Ewalt and Allyson Sigler, Bazaar Co-Chairs

who have a Thank You article in this issue of the Bell, to Garry Baker, Field Chair, and to Peggy Cochran for taking charge of the placemat contributions for the Supper, to Karen Ritter for all her work on the programs, to Susan Yoe, Organ and Instrumental Music Program Chair, to Dorothy Greene, Patti Wahl, and Nicole Foveaux, who orders all the food, got everything organized, and did so much more to make the supper run smoothly, and all the sub-chairs who worked so hard under their guidance, to Richard Dodds, Publicity Chair and to Cheryl Garcia, Charge Card, Website, and Face Book Chair.

Special thanks go to Geoff and Susan Wanamaker for providing the refrigerated Truck and the box supper containers. This is always a god sent to have on the grounds on Prep Day and Tournament Day!

The Box Supper Chairs, Beverly Lusby, Susan Wanamaker, and Kathy Clark are to be commended beyond words to provide 445 box suppers for our guests of which 4 were complimentary child Jousters, 12 were complimentary adult Jousters, and 4 were Musicians that were included in the 445 count. The sit-down dinners this year – 197 attending according to the number of tickets counted at the end of the day which broke down to 188 adults, 4 paid children, 3 free children, 3 complimentary Jousters, 3 complimentary Musicians, 4 Complimentary Port Tobacco Pickers in the hall and in the Sunday School rooms for Jousters and

guests, we had 6 paid adults and 9 complimentary Jousters . A special thanks to Nicole Foveaux and all the servers who worked very hard all afternoon waiting on the tables.

It was truly a hot glorious day! Mark your calendar – August 31, 2024 – for the 157th Jousting Tournament!



CHURCH PICNIC THANK YOU

A Big thank you to Helen Prince and the Vestry for co-chairing the Church Picnic held on July 23rd .

Thanks also to Norm Prince for cooking the hotdogs and picking up the chicken, and to all who brought the delicious side dishes and desserts.

It was a beautiful warm Sunday as some sat in the hall and others sat in the picnic grove and enjoyed the good food and fellowship.

PARISH HALL STORAGE ROOM

If you have a shelf or shelves in the Storage Room in the Parish Hall, please make sure that your area is clean and straight.

CHRIST CHURCH PRAYER LIST

Please keep the following parishioners and items in your prayers:

Joys / Thanksgivings

- Historic witness and mission of the parish in Calvert County, in Maryland and worldwide
- Buildings and 47 acres of grounds entrusted to the parish
- Successful 156th Jousting Tournament, Bazaar, Organ Concert, and Supper

Military

- Aaron Boudreau, Thomas Garcia, Michael Harris, Robert Harris, Evan Metz, Brian Riva, Peeter Pleake-Tamm, Caidyn Nolan, Kamryn Nolan

Homebound and Long-term Care

- Ruth Green, Jessica Lewis, Vera Lind, Elaine Williams, Anne Yoe

Deceased

- Charles "Bruce" Baumann

Sick / Hospitalized / Recovering

- Aurelio Azpiazu, Johnny Brodigan, Pat Buehler, Fred Gott, Sandy Hall, Cindy Horsmon, Gil Masters, Shannon Masters, Donnie McCready, Sheila Pitcher, Kirk Taylor, Hank Wegner, Mary Linda Wegner, Franklin Wood, Joan Wood, Kay Zinn

Special Needs / Concerns of our Parish

- Discernment and labor for strengthening faithful parish witness & mission
- Ukraine
- Turkey
- Syria

Friends of Parish

- | | |
|-------------------|-------------------|
| - Molly | -Kay Hoile |
| -Ben Norfolk | -Viola Carroll |
| -Dorothy Franklin | -William Johnson |
| -Ann Garner | -Josh Nudge |
| -Tommy Rosnage | -Daniel Carter |
| -Ronnie Bowen | - Carrie |
| -Bonnie Kelly | -Marti Phelps |
| -Lori McCarty | -Jackie |
| -Beverly | -George Owings |
| -Amy Marburger | -Billy Bonolis |
| -Joan Matteson | -Karen Bauersfeld |
| -Little Woody Lee | -Jaylyn Almond |

We will pray for members of the parish who are sick, hospitalized, or recovering for three Sundays in church, and then remove their names from the prayer list, unless specifically renewed. We will list Friends of the Parish for one month and then remove their names from the Bell, unless specifically renewed.

+ + +

HEARTFELT BACKPACKS

The school year started August 28th. It will be a week or two before we know how many backpacks will be needed this year.

We will be accepting food for the backpacks starting the week of September 10th.

We have the shelves back in the room and need food. Listed below are foods that can be used in the backpacks:

- Green Beans or Peas
- Corn or mixed vegetables
- Canned potatoes
- Spaghetti and Meatballs
- Ravioli
- Beanee Weenees
- Mac and Cheese
- Ramen Noodles
- Fruit
- Applesauce
- Cookies
- Granola Bars
- Cereal – individual boxes
- Cereal bars
- Beefaroni
- Soup – chicken noodle,
chicken and rice, vegetable
- Oatmeal-Instant
- Pancake mix
- Syrup
- Jelly
- Peanut Butter
- Peanut Butter crackers
- Poptarts
- Pretzels, single serving bags
- Pudding Cups
- Vienna Sausages
- Tuna – can
- Tuna Salad

Heart F.E.L.T.
(Filling Empty Little Tummys)
A new ministry of Christ Church



Chicken Salad
Spaghetti – box
Spaghetti Sauce with Meat
Or anything similar to the
above

Thank you to all the generous contributors who have given in the past!

Nancy Zinn



THANK YOU FOR THE FLOWERS

A big "thank you" to **David Lines and Cindy Horsmon** for supplying us with the beautiful assortment of gladiolus, zinnias, and sunflowers for our Tournament Dining Hall and church floral arrangements!

Peggy Cochran, Adele Maguire, and Nancy Thompson

REMEMBER GRANDPARENTS DAY ON SEPTEMBER 10, 2023

Christ Church BELL is the parish newsletter
published by
Christ Church
3100 Broomes Island Road
Port Republic, MD 20676
410-586-0565
Rev. Christopher Garcia, Rector

Production Staff:
Dotty Greene
Mary Linda Wegner
Nancy Zinn, Editor

Deadline for next issue: September 19, 2023

CHRIST CHURCH


Cell 540-471-7445

Fr. Christopher's e-mail

christopher@christchurchcalvert.org

SEPTEMBER

Christ Church Website - [ch...](#)

SUN	MON	TUE	WED
<p>3</p> <p>8:30 Holy Eucharist Rite I 10 am Holy Eucharist Rite II ZOOM @ 10:00</p>	<p>4</p>  <p>LABOR DAY</p> <p>6:30 pm Alcoholics Anon.</p>		<p>5</p> <p>7:00 - 8:15 p Evening B ZOOM</p>
<p>10</p> <p>8:30 Holy Eucharist Rite I 10 am Holy Eucharist Rite II ZOOM @ 10:00</p>	<p>In Remembrance of Sept. 11</p>  <p>6:30 pm Alcoholics Anon.</p>	<p>12</p> <p>7:00 pm Vestry Meeting</p>	<p>7:00 - 8:15 p Evening Bi ZOOM</p>
<p>17</p> <p>8:30 Holy Eucharist Rite I 10 am Holy Eucharist Rite II ZOOM @ 10:00</p>	<p>18</p> <p>6:30 pm Alcoholics Anon.</p>	<p>19</p> <p>Bell Deadline</p>	<p>7:00 - 8:15 p Evening B ZOOM</p>
<p>24</p> <p>8:30 Holy Eucharist Rite I 10 am Holy Eucharist Rite II ZOOM @ 10:00</p>	<p>25</p> <p>6:30 pm Alcoholics Anon.</p>	<p>26</p>	<p>7:00 - 8:15 p Evening Bi ZOOM</p>

Holidays and Observances: 4: Labor Day

SEPTEMBER 2023

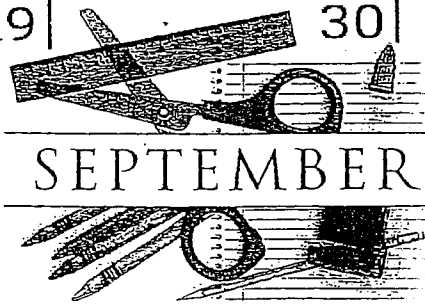
Cell 407-256-3298

Deacon Beth Bellner's e-mail

babeliner@gmail.com

christchurchcalvert.org

WED	THU	FRI	SAT
		1	2
6 on Wednesday Bible Study via	9:15 – 10:30 am (ZOOM Only) Bible Study 10:00 am Holy Eucharist & Healing Service 10:45 am– 12:00 noon Bible Study (in person only) 7:30 pm Choir Practice	8 11:30 am J.U.L.I.E.T.S Lunch	9
13 on Wednesday Bible Study via	9:15 – 10:30 am (ZOOM Only) Bible Study 10:00 am Holy Eucharist & Healing Service 10:45 am– 12:00 noon Bible Study (in person only)	15	16
20 on Wednesday Bible Study via	7:30 pm Choir Practice 9:15 – 10:30 am (ZOOM Only) Bible Study 10:00 am Holy Eucharist & Healing Service 10:45 am– 12:00 noon Bible Study (in person only)	22	23 10:00 am Historic Reinterment w/reception to follow
27 on Wednesday Bible Study via	7:30 pm Choir Practice 9:15 – 10:30 am (ZOOM Only) Bible Study 10:00 am Holy Eucharist & Healing Service 10:45 am– 12:00 noon Bible Study (in person only) 7:30 pm Choir Practice	29	30





Tournament Bazaar Thank You



Wow - What a wonderful Tournament Day in every way! And, so many folks contributed to the success of the day. The words "thank you" don't begin to convey the appreciation and gratitude to all who contributed to Tournament Day's success. The time, effort, and work for the bazaar begins weeks prior to the "big" day. Thank you for all of the prep work including making jellies, jams, pickles, and meatballs, ordering memorabilia, sorting Attic Treasures, used books and toys, baking, prepping for the Children's Corner and the organizing that underpins the whole enterprise. Many of our visitors commented on how organized the day was. Yes, on Tournament Day, our visitors enjoy and participate in a perfectly choreographed event.

Thank you to the large crew that came out on Thursday to put up tents and move tables, attic treasures and books. The second large tent was barely up, when it started to rain, so we stopped for a quick supper. The rainbow that followed the shower was a prophetic sign of wonderful things to come! Thank you to those who came on Friday morning to set up additional items. Thank you to all who showed up bright and early on Saturday morning to get the canopy tents up and to ensure everything was in place for the opening of the Bazaar promptly at 10:00 a.m. And finally, thank you to those who helped take down the tents - large and small, loaded unsold books, and did some general clean-up. All of this was done with smiles and laughter.

The Bazaar was a great success; many of the booths sold out - some quite early. But, most importantly it was a day of great fun, enthusiasm, teamwork, and sharing. Our guests delighted in the friendliness, helpfulness, and congeniality of our parish.

We are indeed blessed in so many ways, which was evident on Saturday in the way all parishioners worked together and supported each other. It doesn't get any better than that.

Again, many, many thanks to all who helped to make this year's Tournament Bazaar such a success.

Chloe Ewalt and Allyson Sigler

Puzzle!

Complete this Bible passage by adding the missing vowels.



F _ r b y g r _ c _ y _ _ h _ v _
b _ _ n s _ v _ d t h r _ _ g h
f _ _ t h , _ n d t h _ s _ s n _ t
y _ _ r _ w n d _ _ n g ; _ t _ s
t h _ g _ f t _ f G _ d _ _ n _ t t h _
r _ s _ l t _ _ f w _ r k s , s _ t h _ t _
n _ _ n _ m _ y b _ _ s t .
_ p h _ s _ _ n s 2 : 8 - 9 , N R S V







Answer: For by grace you have been saved through faith, and this is not your own doing; it is the gift of God -- not the result of works, so that no one may boast. Ephesians 2:8-9, NRSV

Smart cookies

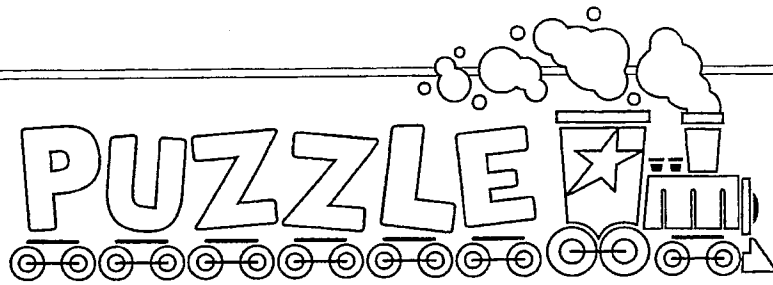
September is an exciting time, as you begin growing in wisdom with a new year of school and Sunday school. Be a "smart cookie" by making this special container for your kitchen. Change the pictures as your year goes by. Or fill the container with cookies to give as a gift.

What you need:

- 2 identical disposable plastic containers (rectangular and clear) 
- 1 lid
- 4 photos or drawings 
- Scissors
- Sticky bow or ribbon (optional)
- Cookies  

What you do:











1. Cut four different pictures or drawings to fit the sides of your container. Allow the edges to slightly overlap around the four sides of one container.
2. Gently set one container inside the other. Then slide the pictures or drawings down between the two containers to cover the four sides. Press the inner container down to secure the pictures in place between the sides.
3. Fill the container with cookies, and put the lid on top of the inner container.
4. You can put a sticky bow or ribbon on the lid to make the container look like a present.



MASTER MULTIPLICATION

Jesus tells a parable about faithful servants who multiply their master's money. How does the master respond?

Directions: Solve the math problems. Find the letters that match the answers and write them in order to complete Matthew 25:21, NIV.

1. $5 \times 3 =$ 	6. $6 \times 6 =$ 
2. $7 \times 4 =$ 	7. $9 \times 3 =$ 
3. $4 \times 6 =$ 	8. $3 \times 8 =$ 
4. $2 \times 10 =$ 	9. $10 \times 4 =$ 
5. $9 \times 5 =$ 	10. $11 \times 8 =$ 

KEY

A = 28	J = 50	S = 88
B = 35	K = 21	T = 45
C = 14	L = 63	U = 64
D = 25	M = 15	V = 32
E = 33	N = 24	W = 80
F = 72	O = 77	X = 56
G = 40	P = 54	Y = 20
H = 36	Q = 9	Z = 48
I = 27	R = 16	

"His master replied, 'Well done, good and faithful servant!

You have been faithful with a few things;

I will put you in charge of _____.

Come and share your master's happiness!"

MATTHEW 25:21, NIV

Answer: 15, 28, 24, 20, 45, 36, 27, 24, 40, 88; many things

SEPTEMBER BIRTHDAYS

Prayer is offered for each person posted on the Birthday list by the Brotherhood of St. Andrew, The Daughters of the King, and other parish prayer ministries and intercessors.

Happy Birthday to each and every one of you!!!! Birthdays are posted from the most current parish records. Please provide updates.

September 1 Mia Lampieri
Glossie Leake
Molly McCready

September 2 Fr. Christopher Garcia
Deborah Coffin Kennedy

September 3 Seth Bagley

September 4 Martha Walker

September 5 Aurelio Azpiazu
Dan Goucher
Richard Weems

September 6 Brian Foveaux
Justin Jacobs

September 7 Dana May

September 8 Rachel Huntzberry
Al Johnson
Judy Selock
Billy Skinner

September 9 Bobby Pitcher

September 10 Tommy Buckmaster
Anne Sledge
Rachel Weems

September 11 Crystal Bowen
Katherine LaTour

September 12 John Weems

September 13 Tara Johnson
Kendyll Lewis

September 14 Bruce McGray

September 15 Donnie McCready
Paula Muth
Cheri Nims
Conner Tomlinson

September 16 Ted Money

September 17 James Tomlinson

September 18 Bonnie Arnheim
Mary Watson

September 19 Bentley Horsmon

September 20 Rachael May Caesar

September 21 Noah Smith

September 22 Sean Coffren
Bill Myers, Sr.
Nicholas Wolf

September 23 Lucas Smith

September 24 Danny Goucher
Carol Khalili

September 25 Mike Sharpe
Patricia Ward

September 26 Sharon Walker
Nancy Zinn

September 27 Kells Eaton

September 28 Peter Cochran
Elizabeth VonNessen

September 29 Deuce Cox

September 30 Beanon Bruckner
Emily Dare



SEPTEMBER ALTAR GUILD

Peggy Cochran
Karen Williams

CHRIST CHURCH
3100 Broomes Island Road
Port Republic, MD 20676



NON-PROFIT ORG.
U.S. Postage
Paid
Prince Frederick, MD
Permit #2

Return Service Requested

FR. CHRISTOPHER & CHERYL GARCIA
3090 BROOMES ISLAND ROAD
PORT REPUBLIC, MD 20676

NEWSPAPER
DATED



The **J.U.L.I.E.T.s (Just Us Ladies Informally Eating Together)** have scheduled their next lunch on Friday, 8 September, 11:30 a.m., at Dream Weavers. All women of the parish (and their friends) are welcome!

Make a joyful noise unto the Lord! Choir rehearsal will be on Thursday's at 7:30PM in the Fellowship Hall starting 9/7/23. Contact Bonnie Arnheim at keyboardalley@comcast.net with any questions. The choir sings at the 10AM service on Sunday's with additional support during the Easter and Christmas seasons or when there are combined services. We warm-up at 9:30AM in the Fellowship Hall on Sunday mornings. There is no need to climb the steps to the loft now as the choir sits in the main church area on the right side of altar area. Please consider singing with us in September.

Bible Study: We invite you to come join us this fall when we will read "Joshua" which tells the story of God's faithfulness to his people and the fulfillment of his promise to settle them on the land promised to their forefather Abraham. Come journey with us into the promised land as we learn more about God's promise to his people. The same material is offered at three different time slots: Wednesday nights 7:00 to 8:15 pm via zoom; Thursday mornings 9:15 – 10:30 am via zoom; and Thursday mornings 10:45 – 12:00 in person. Classes begin September 6 & 7. Contact Cheryl Garcia about joining the class. ccgarcia.va@gmail.com

Cheryl C Garcia

73-349-9319 (cell)